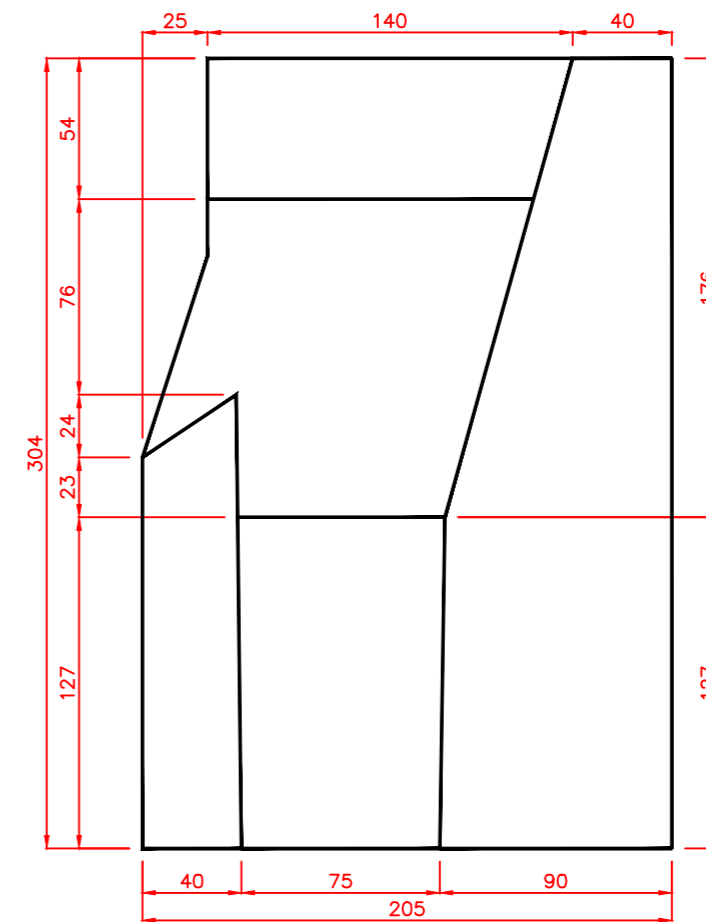


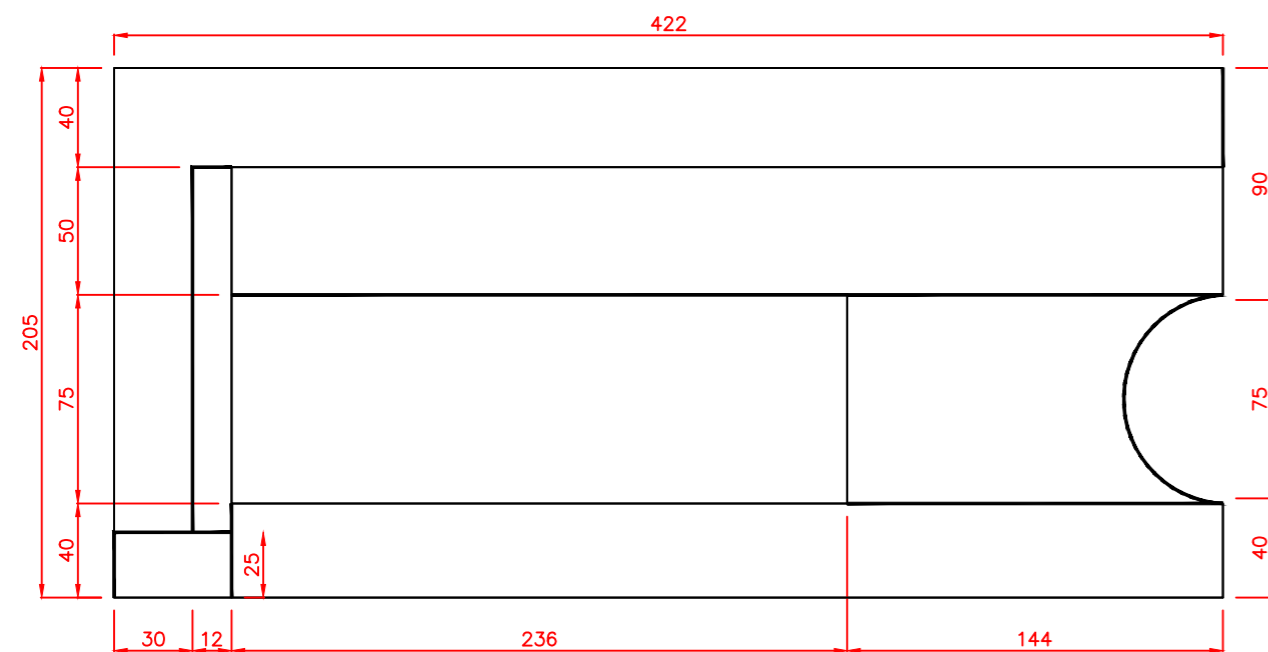
**FRONT VIEW**

SC: 1/50



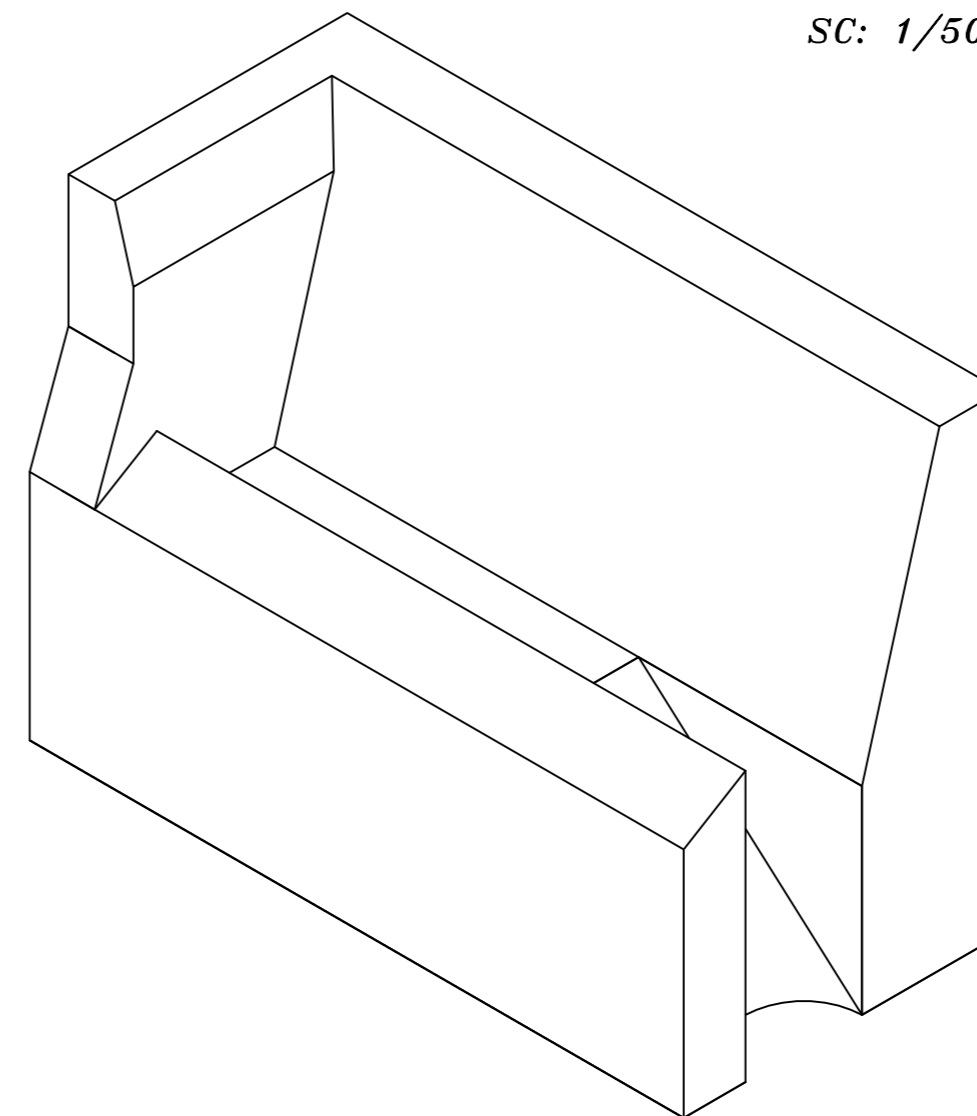
**LEFT VIEW**

SC: 1/50



**TOP VIEW**

SC: 1/50



**PERSPECTIVE**

SC: 1/50

**& DISTRIBUTION COMPANY**  
SHIRAZ REFINERY

**BRICK FO FH-701**  
**VIEW & PERSPECTIVE**  
**(LEFT)**

DES	M.SOLTANI	DATE	97/07/18	SCALE	DRAWING NO.  2000-CD-1B-114405 (SHEET 1)
DWN	M.SOLTANI	DATE	97/07/18		
CH	ALAMGIR	APP			
P.E	ALAMGIR	DATE		W.O:	